



*hush.
acoustics*

Install Guide

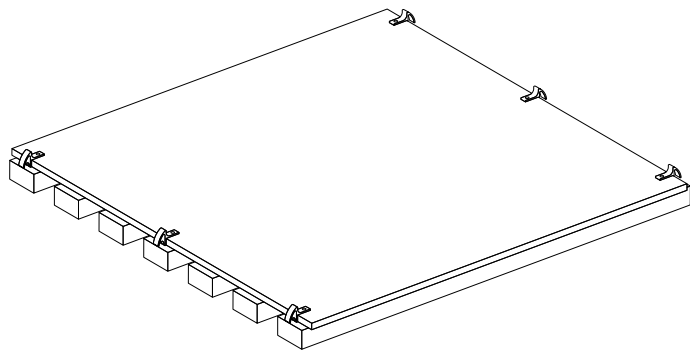
RibGrid Ceiling Tile



Quiet by design

1. Locate the RibDrop Ceiling Tile as shown below..

(Note; the hardware will be pre-attached to the Tile).



2. Align the tile with the underside of your T-Grid system, then push the tile into the grid to engage the plastic clips. Your tile is now installed. Repeat this process for the remaining 3 upper sections to complete the Ceiling Tile.

