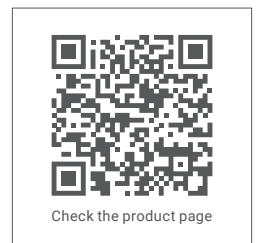




**hush.**  
*acoustics*

Install Guide

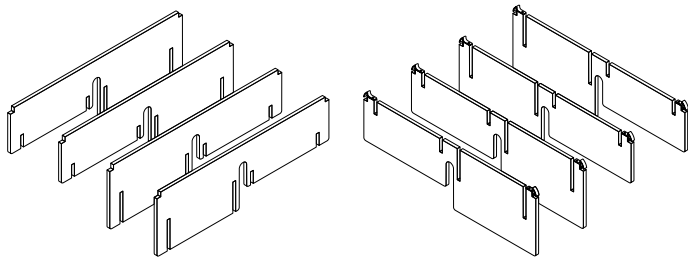
# PixelGrid Ceiling Tile



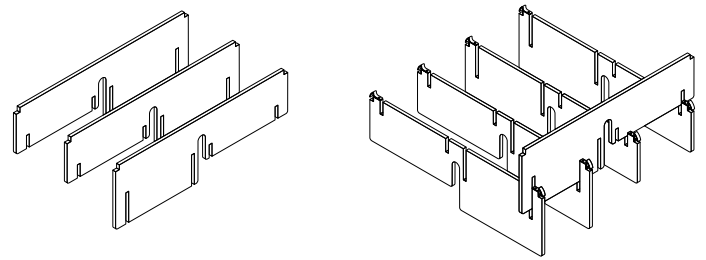
*Quiet by design*

1. Locate and arrange the upper and lower parts of the PixelDrop Ceiling Tile as shown below.

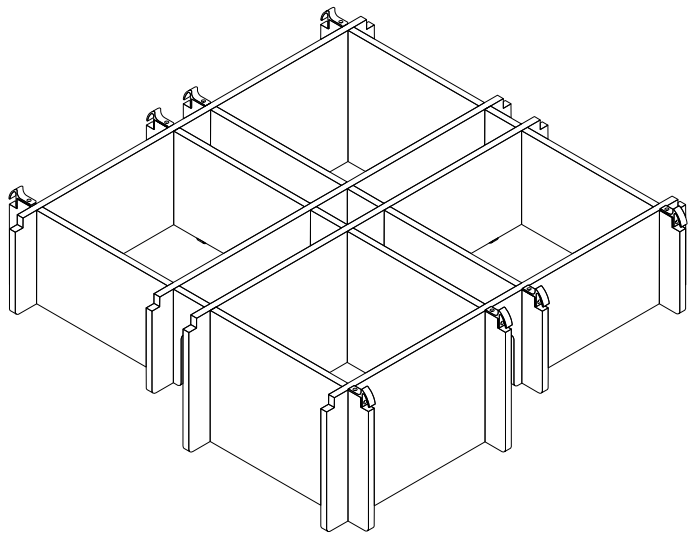
*(Note; the lower parts will have hardware attached).*



2. Begin inserting the upper baffle parts into the lower baffle parts by sliding the cut-out slots into each other. Push firmly to ensure a secure connection.



3. Repeat this process for the remaining 3 upper sections to complete the Ceiling Tile.



4. Align the tile with the underside of your T-Grid system, then push the tile into the grid to engage the plastic clips. Your tile is now installed.

