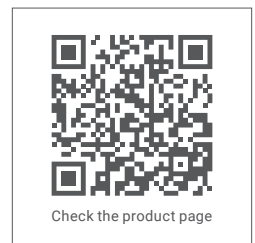




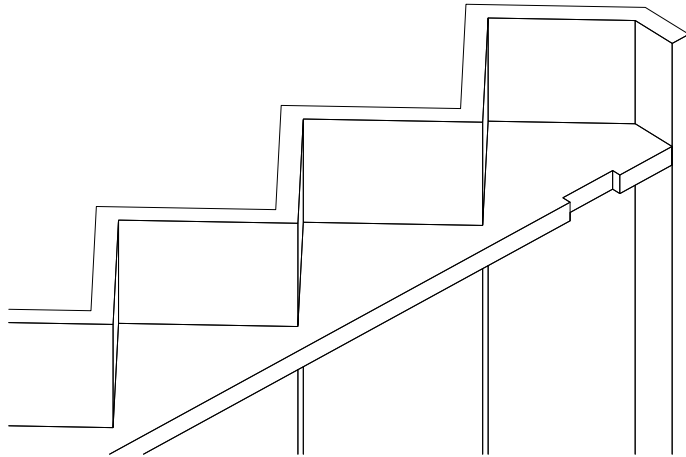
*hush.
acoustics*

Install Guide
Peak

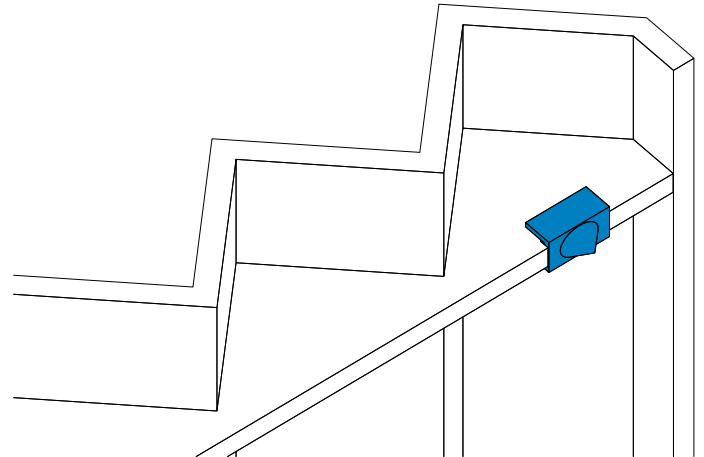


Quiet by design

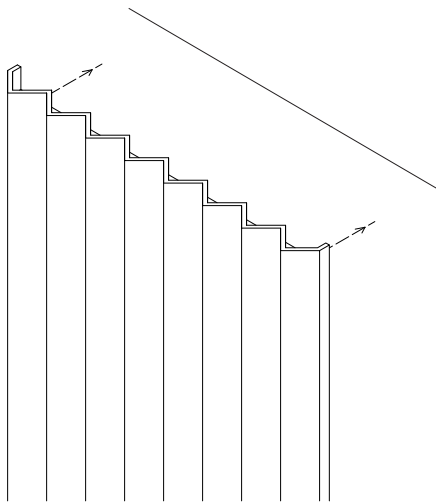
1. Identify the mounting points on the back of the Peak panel.



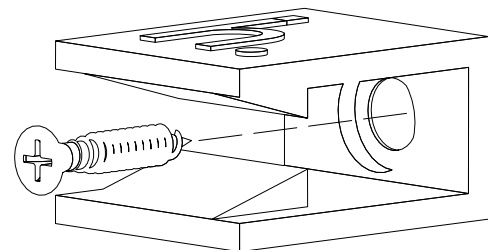
2. Place a pointed transfer clip on each of the mounting points as shown below:



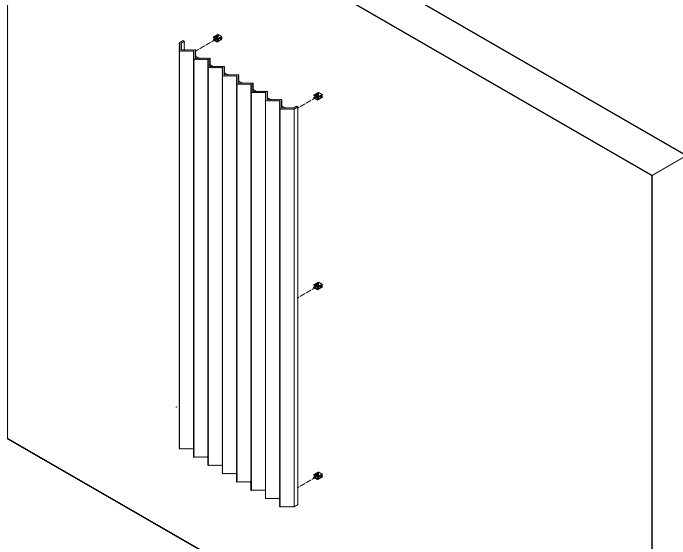
3. Now position the panel in the desired location on the wall, press the panel firmly against wall – only pressing in the locations of the pointed transfer clips. The clips will leave a small ‘dent’ on the wall, this will indicate the required location of the mounting clips.



4. Fasten the mounting clips to the wall, using applicable screws/anchors necessary for your wall substrate.



5. Remove all the pointed transfer clips from the back of the Peak panel, the panel can now be placed on the wall, aligning the mounting points on the panel with the mounting clips on the wall.



6. Ensure that the panel is firmly pushed into place by pressing the panel against the wall in the locations of the mounting clips.

