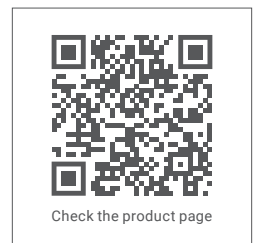




hush.
acoustics

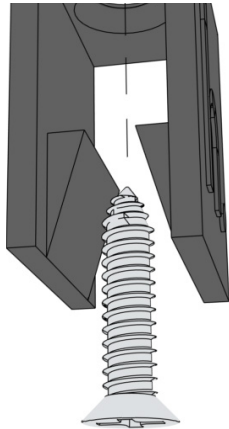
Install Guide

Palisade

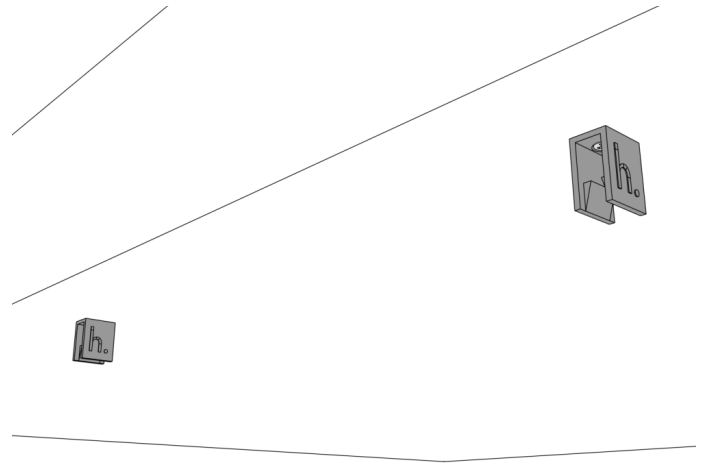


Quiet by design

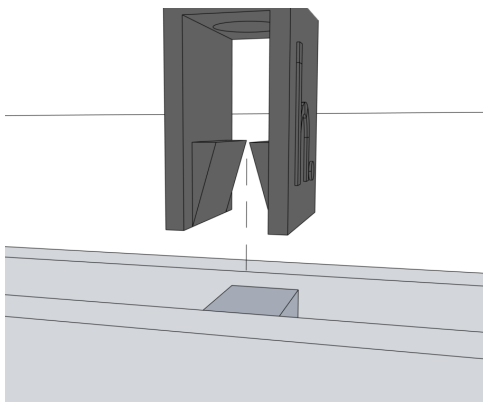
1. Measure and locate all necessary positions of all brackets to align with the clip attached to the columns. Insert anchors or wall plugs.



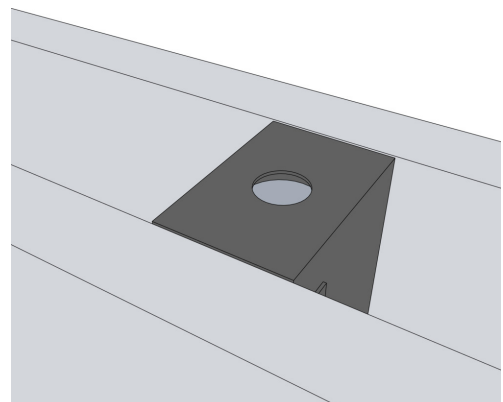
2. Once properly measured, insert the screw into the wall/ceiling through the hole of the provided bracket securing it tightly.



3. Once all brackets are secured align it with the clip already attached to the column.



4. Slide the column into the notch of the bracket securing it in place.



5. Repeat above steps for all beams.

