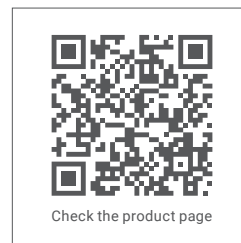




hush.
acoustics

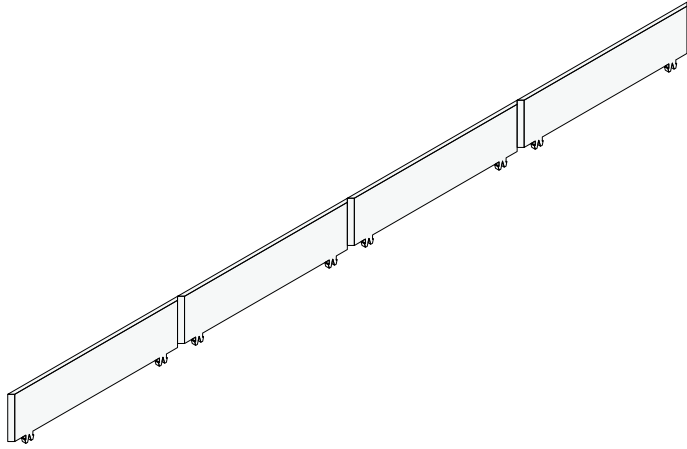
Install Guide

Open Box Ceiling Tile

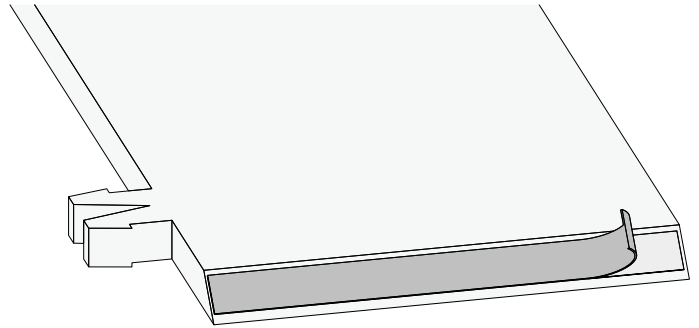


Quiet by design

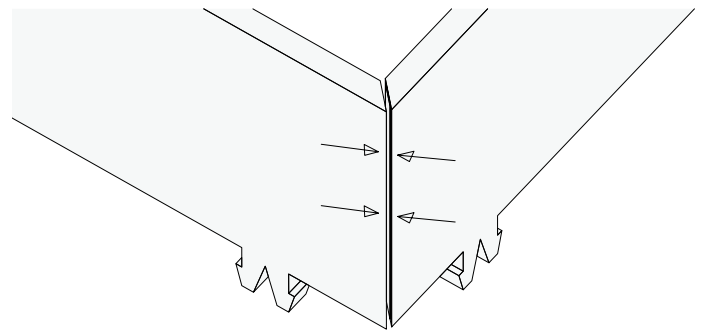
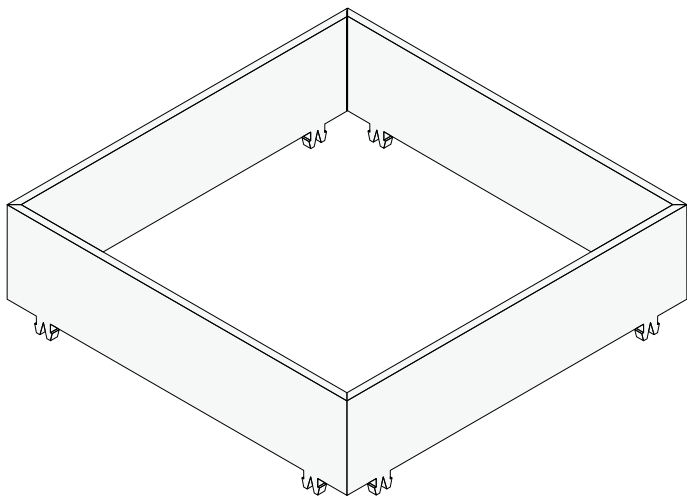
1. Locate the Ceiling Tile side panel.



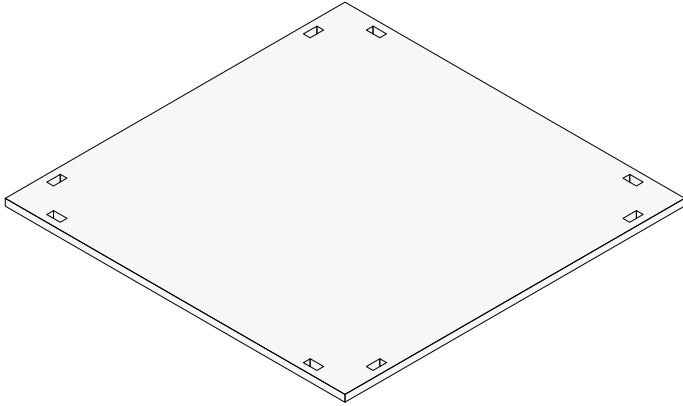
2. Remove the protective film from the adhesive tape on the one end of the side panel.



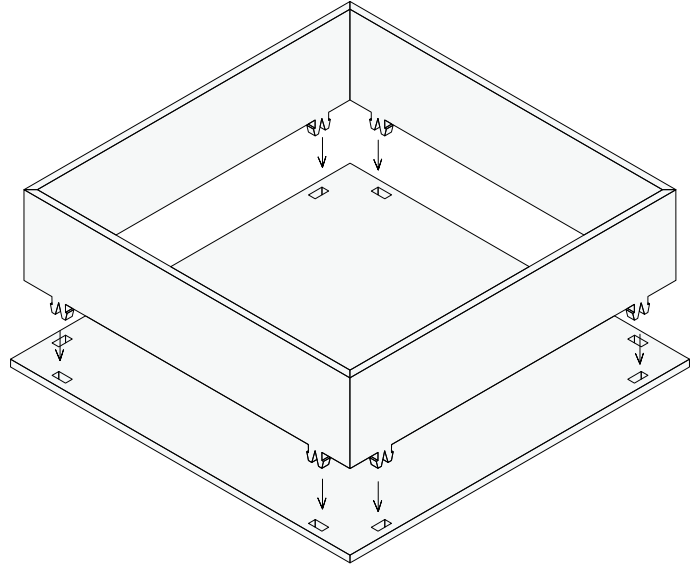
3. Fold the side panel into a square as shown below. Press the joining corners together firmly together to ensure a good bond with the adhesive tape.



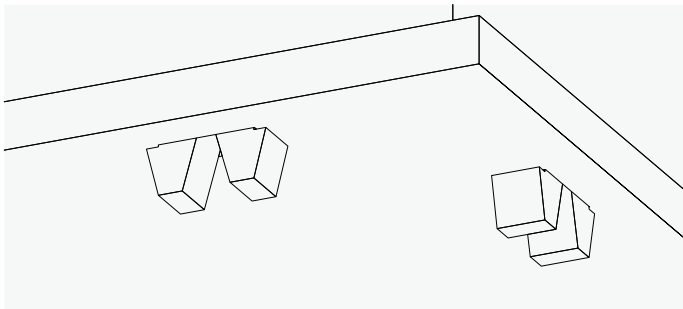
4. Locate the Ceiling Tile back panel.



5. Insert the side panel section into the back panel.



6. Ensure that the side panel tabs protrude through the back panel and are in the open and 'locked' position as shown in the detail below.



7. The Open Box ceiling tile is complete and can now be placed into your t-grid ceiling.

