



*hush.
acoustics*

Install Guide

Matrix Baffles



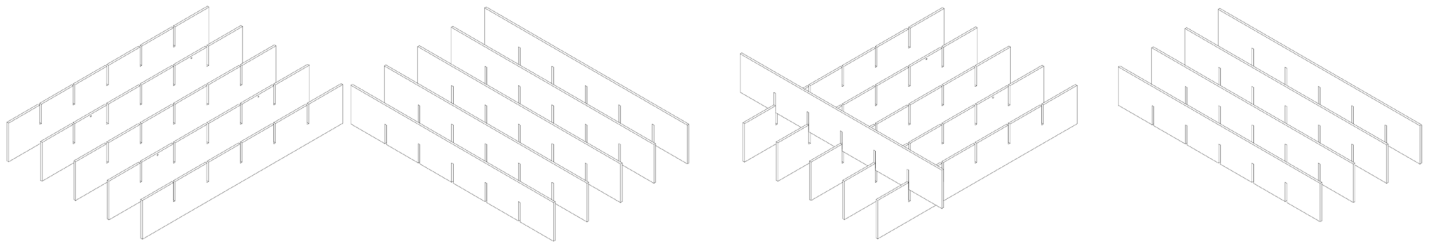
Quiet by design

- Prior to installation, installers are advised to unpack and lay out panels to determine the most aesthetically pleasing arrangement of panels.

1. Locate and arrange the upper and lower parts of the baffle as shown below.

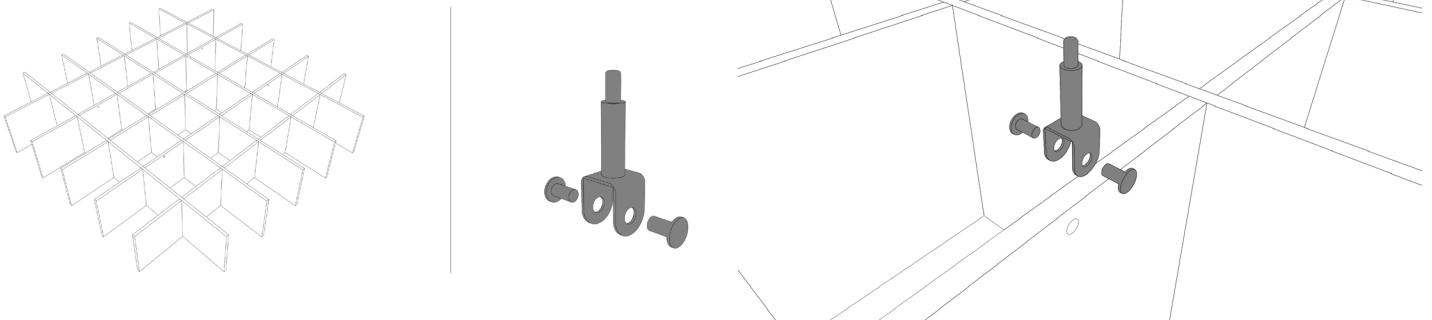
(Note; two of the lower parts will have small holes cut out for the installation hardware).

2. Begin inserting the upper baffle parts into the lower baffle parts by sliding the cut-out slots into each other. Push firmly to ensure a secure connection.

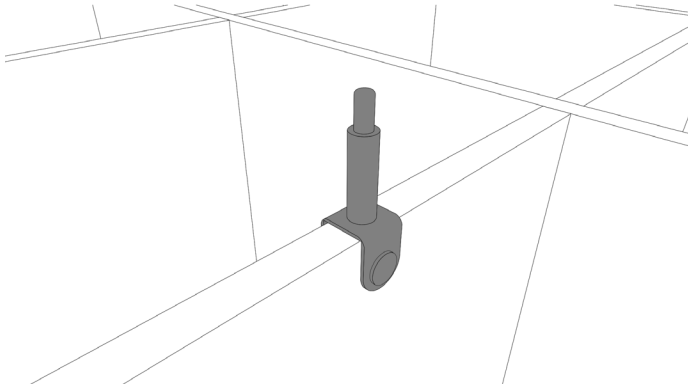


3. Once all baffle parts have been installed, locate the Shoulder-bracket hardware provided.

4. Align the Shoulder-brackets with the small cut out holes on the lower baffle parts.



5. Now tighten the bolt hardware.



6. When all Shoulder-brackets have been installed, your baffle is now complete and ready to be suspended from the ceiling.

(Please refer to the 'Ceiling Hardware Install Guide' for the final steps).

