



hush.
acoustics

Install Guide

Linear Baffles

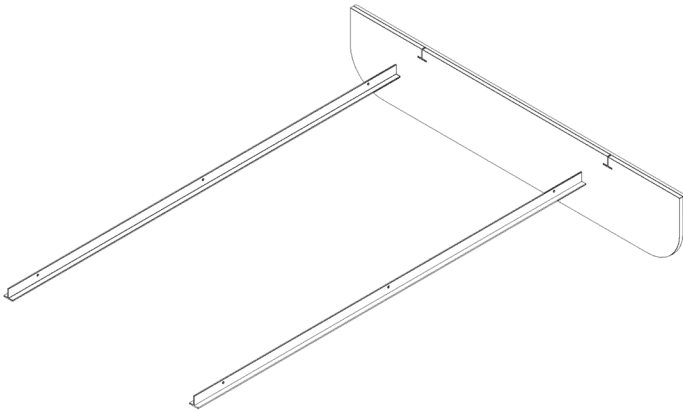


Check the product page

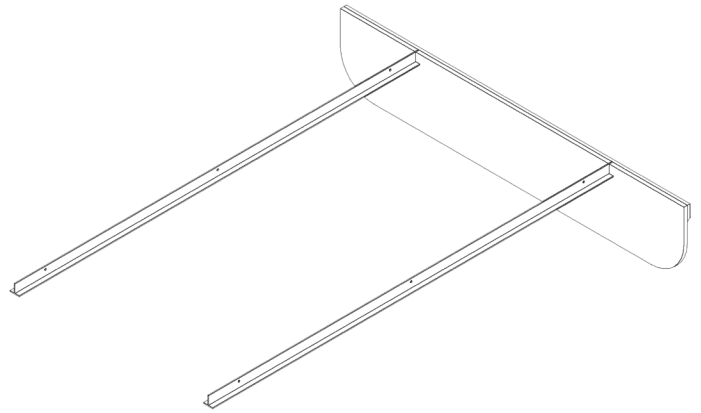
Quiet by design

- Prior to installation, installers are advised to unpack and lay out panels to determine the most aesthetically pleasing arrangement of panels.

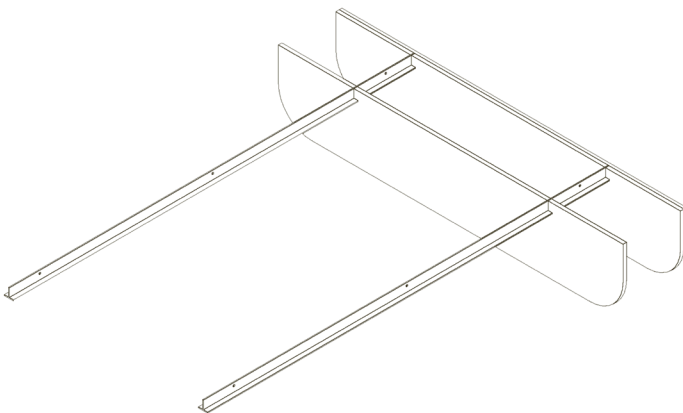
1. Locate the 'End Cap Baffles' (they can be identified by the built-up edge on one side) and the aluminum 'T-track'.



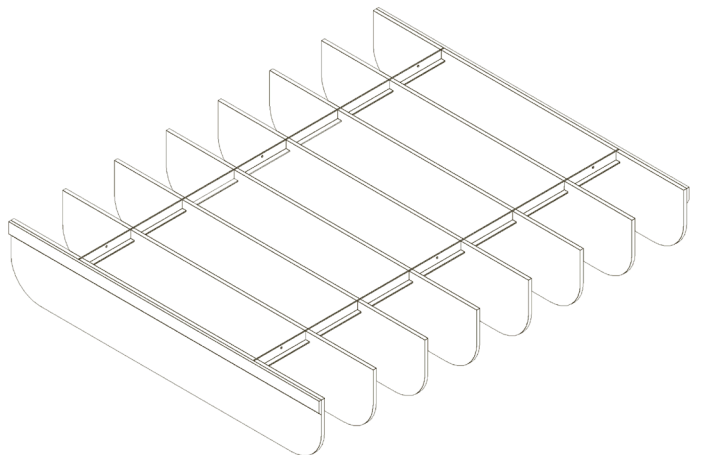
2. Insert the aluminum T-track into the End Cap Baffle as shown below:



3. Now slide on the intermediate baffles (in numerical order as noted on the baffles), spacing the baffles using spacing tool provided.

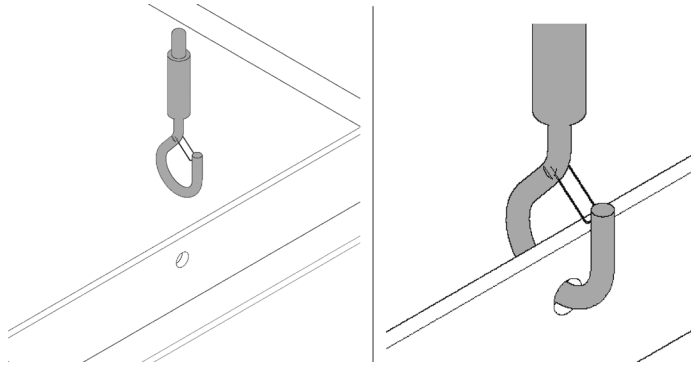


4. Add remaining baffles, ending with a Baffle End Cap.



- 5.** Next, attach the 'Clevis-Hook' onto the T-track in the pre-drilled holes.

(Ensure that the spring-loaded safety clip is in the closed position once the hardware is attached).



- 6.** When all Clevis-Hooks have been installed, your Linear Baffle is now complete and ready to be suspended from the ceiling.

(Please refer to the 'Ceiling Hardware Install Guide' for the final steps).

