



*hush.  
acoustics*

Install Guide

LightBeam



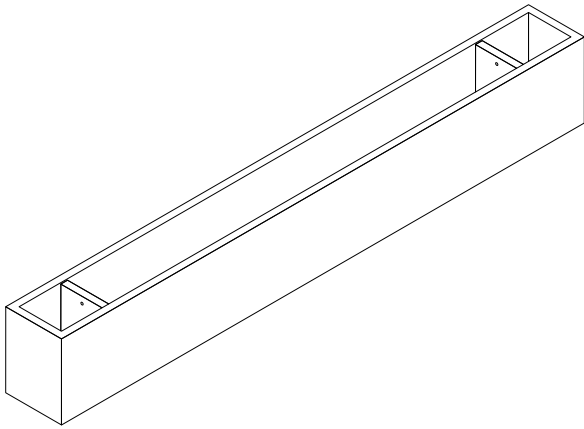
Check the product page

*Quiet by design*

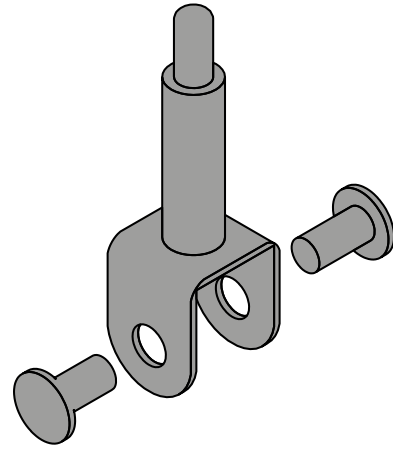
# Individual Suspension

1. Identify the LightBeam with the cut-out on the underside. The size of the cut-out will be the same size as the body of the LED light unit.

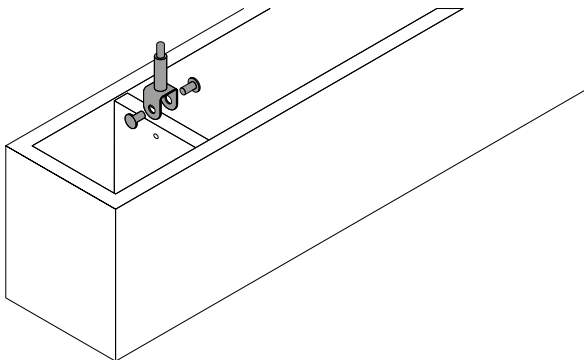
*(Note; the top of the beam will have small holes cut out for the installation hardware).*



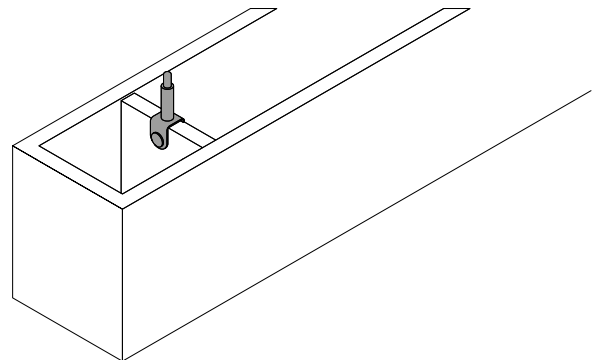
2. Locate the Shoulder-bracket hardware provided.



3. Align the Shoulder-brackets with the small cut out holes on the LightBeam.



4. Now tighten the bolt hardware.



5. Insert the LED light unit into the underside of the Beam. Whilst supporting the weight of the LED light unit, secure the light unit suspension points to the ceiling using the Ceiling Hardware.

*(Refer to the Ceiling Hardware Install Guided document)*

6. Now, have a certified electrician connect the LED light to the power source, according to electrical codes and standards required for your region. Once the electrical connection is complete, your LightBeam is complete and ready for use.

