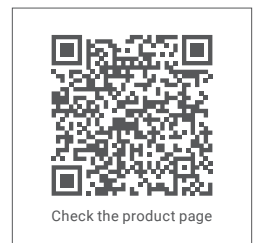




*hush.  
acoustics*

Install Guide

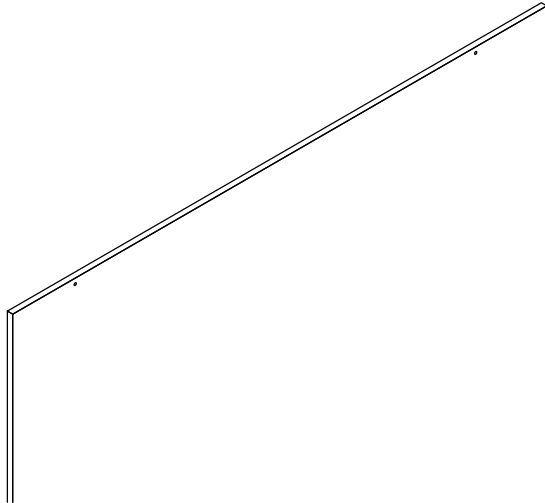
# Hanging Divider



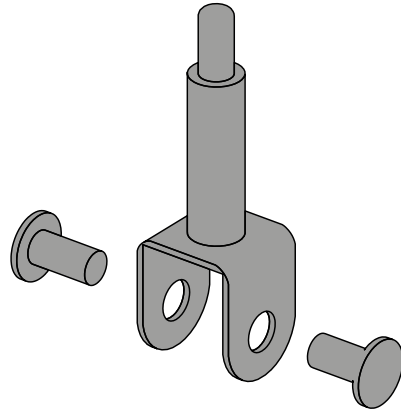
*Quiet by design*

**1. Locate the hanging divider panel.**

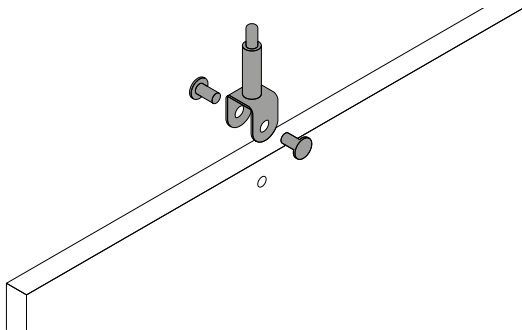
*(Note; the top of the panel will have small holes cut out for the installation hardware).*



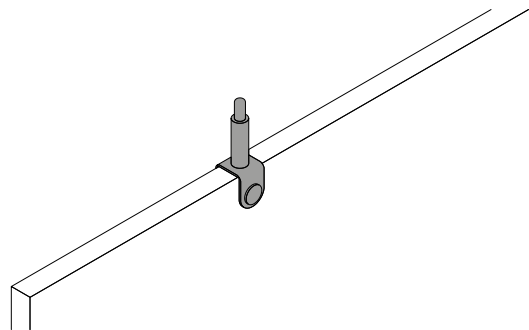
**2. Locate the shoulder-bracket hardware provided.**



**3. Align the shoulder-brackets with the small cut out holes on the panel.**



**4. Now tighten the bolt hardware.**



5. When all Shoulder-brackets have been installed, your Hanging Divider is now complete and ready to be suspended from the ceiling.

*(Please refer to the 'Ceiling Hardware Install Guide' for the final steps).*

