



hush.
acoustics

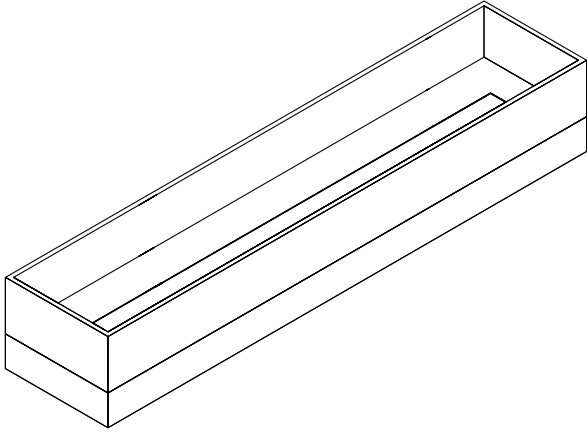
Install Guide
Fusion



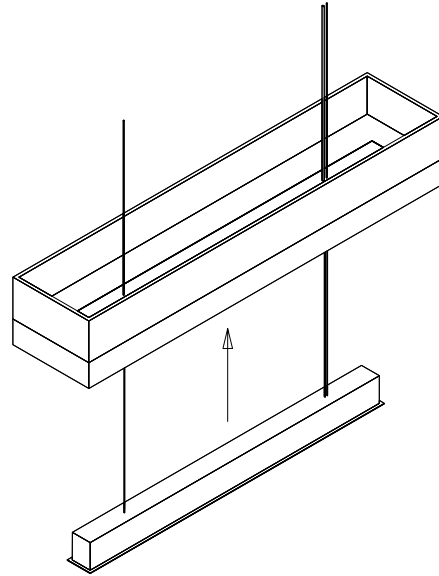
Quiet by design

Individual Suspension

1. Locate Fusion with the cut-out on the underside. The size of the cut-out will be the same size as the body of the LED light unit.



2. Insert the LED light unit into the underside of Fusion. Now secure the hardware to the ceiling at your desired height, please refer to the Ceiling Hardware guide.



3. Now, have a certified electrician connect the LED light to the power source, according to electrical codes and standards required for your region. Once the electrical connection is complete, your Fusion is complete and ready for use.

