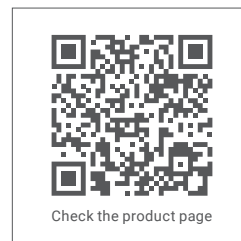




*hush.
acoustics*

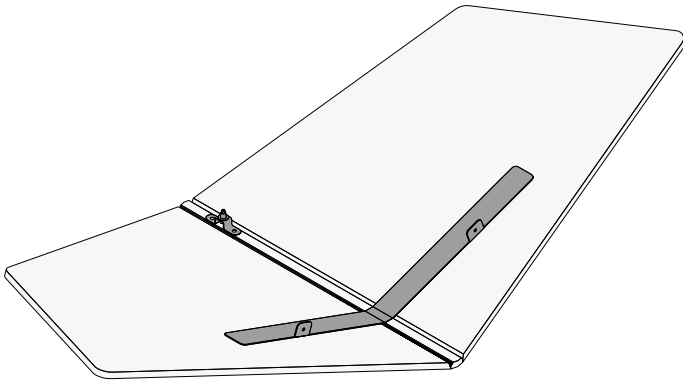
Install Guide
Flutter



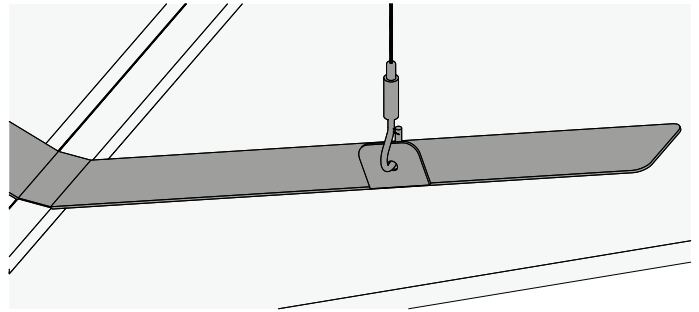
Quiet by design

- Prior to installation, installers are advised to unpack and lay out panels to determine the most aesthetically pleasing arrangement of panels.

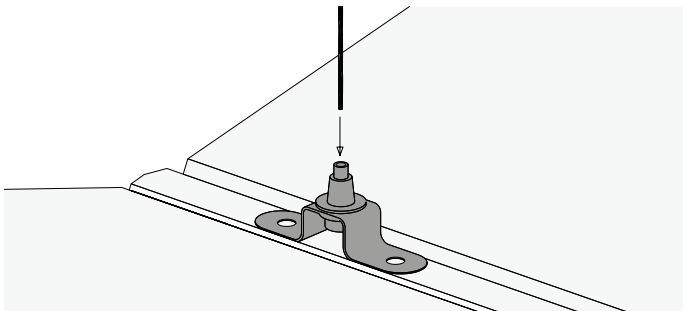
1. Place the Flutter cloud on a clean dry surface.



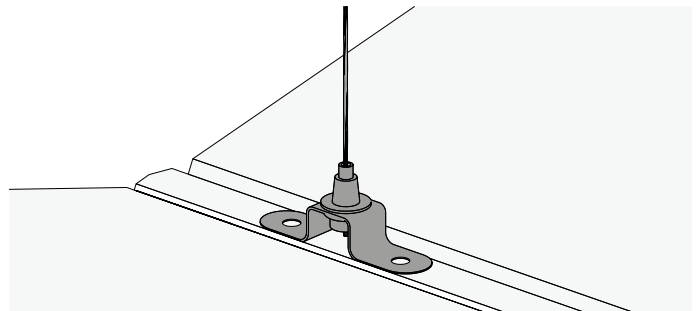
2. Attach the Clevis Hook to the metal tab as shown below, and insert the metal cable into the Grip-Lock portion of the hook.



3. Now, insert a third metal cable into the Grip-Lock portion of the U-anchor as shown below.



4. Ensure that the cable runs right through the U-anchor until it protrudes through the underside of the hardware.



5. Your Flutter cloud is now ready to suspend to the ceiling in your desired location. Please refer to the Ceiling Hardware Install Guide.

