



*hush.
acoustics*

Install Guide
Fins

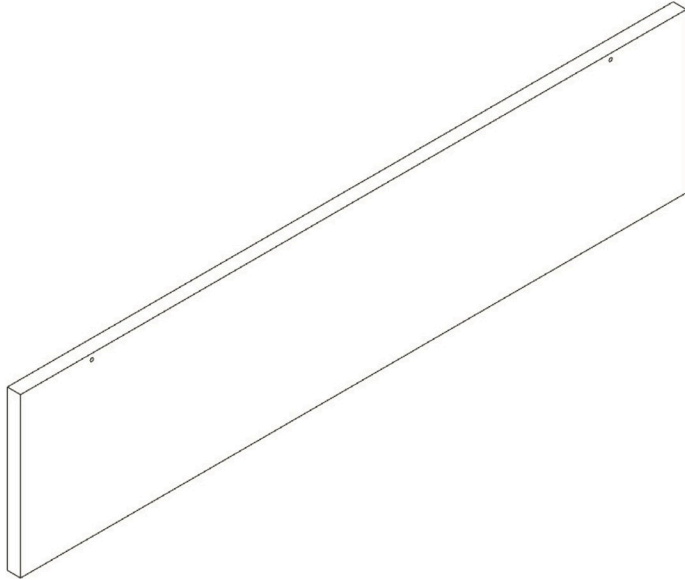


Check the product page

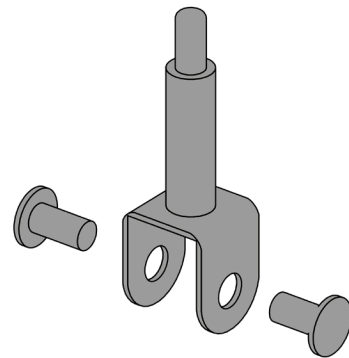
Quiet by design

1. Locate the Fin Baffle.

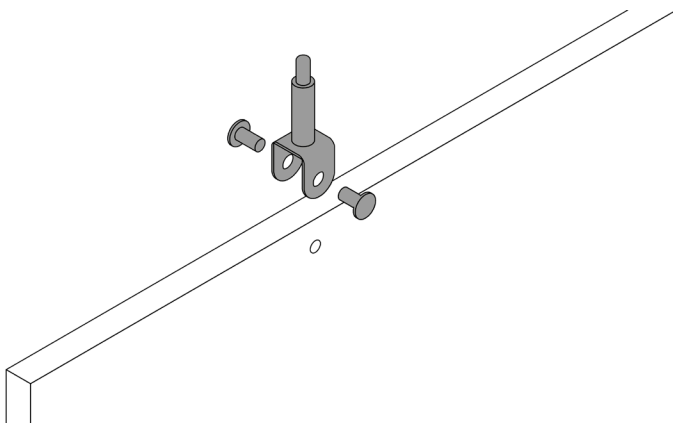
(Note; the top of the baffle will have small holes cut out for the installation hardware)..



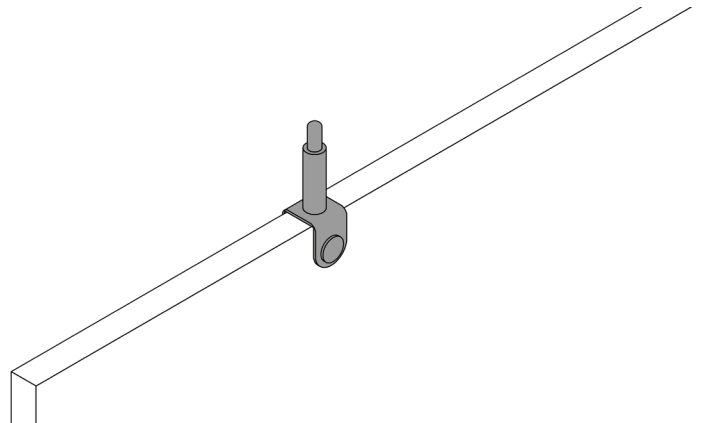
2. Locate the Shoulder-bracket hardware provided.



3. Align the Shoulder-brackets with the small cut out holes on the baffle.



4. Now tighten the bolt hardware.



5. When all Shoulder-brackets have been installed, your Fin Baffle is now complete and ready to be suspended from the ceiling.

(Please refer to the 'Ceiling Hardware Install Guide' for the final steps).

