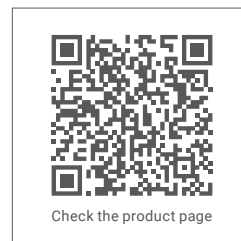




hush.
acoustics

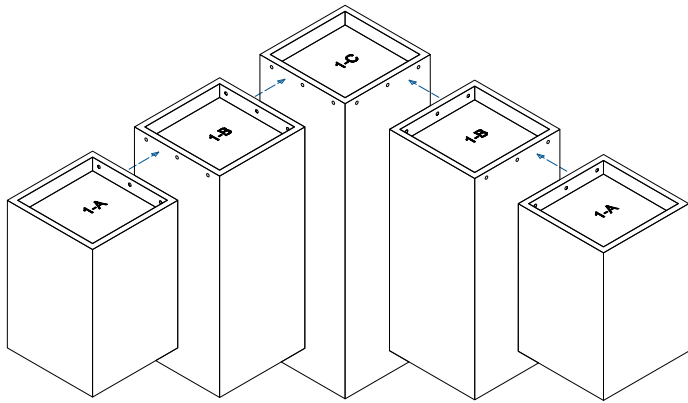
Install Guide
Cubik



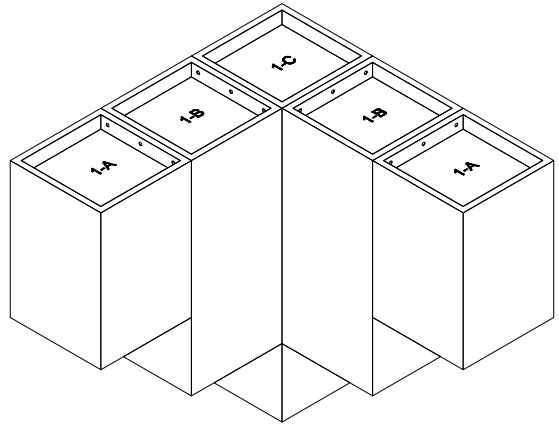
Quiet by design

1. Locate the 5 sections of the Cloud as listed below:

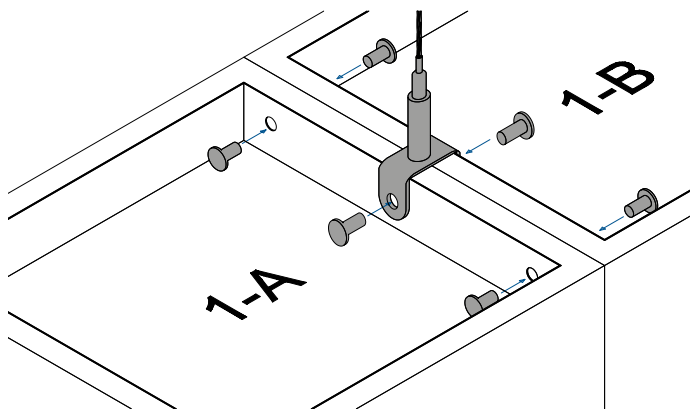
- 2 sections at 300mm long
- 2 sections at 450mm long
- 1 section at 600mm long



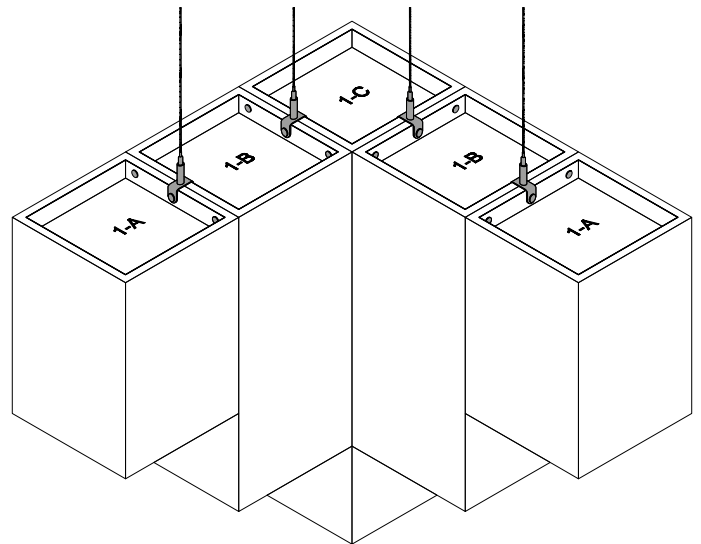
2. Arrange the cloud sections as shown below, ensuring that the pre-cut holes for the hardware align. (Other product layouts shown at the end of this document).



3. Now, secure the cloud sections together as shown below using the hardware provided.

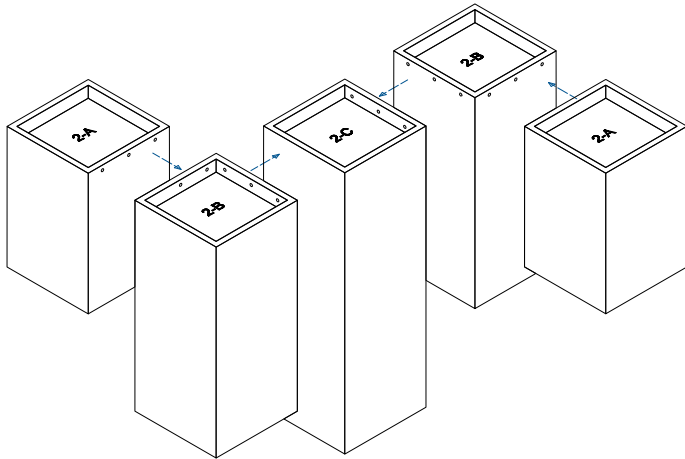


4. Repeat step 3 until all fixing points are completed. Your cloud is now ready to be suspended from the ceiling, please refer to the Ceiling Hardware Installation Guide.

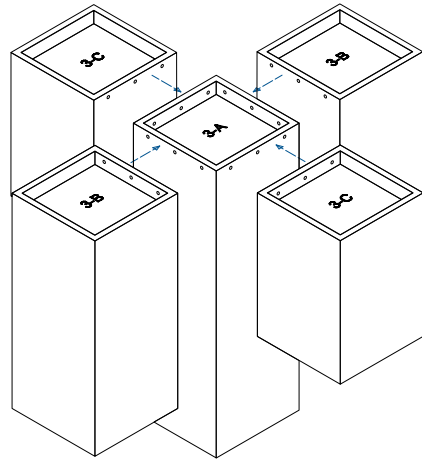


5. Please see below configurations of other products in this range:

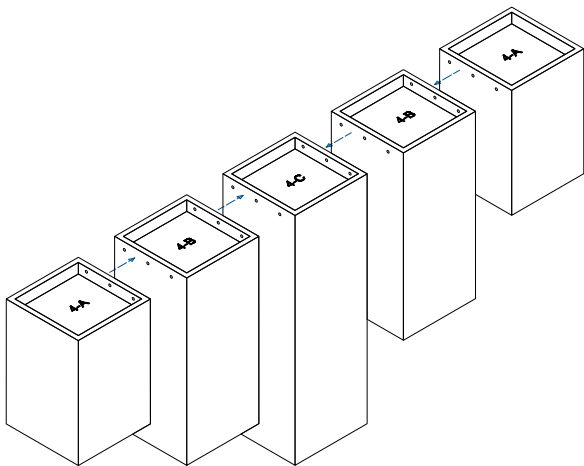
Z Profile



X Profile



I Profile



V Profile

