



*hush.  
acoustics*

Install Guide

# Crest Wall Tile

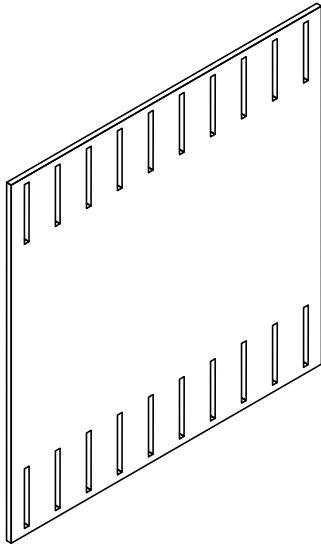


Check the product page

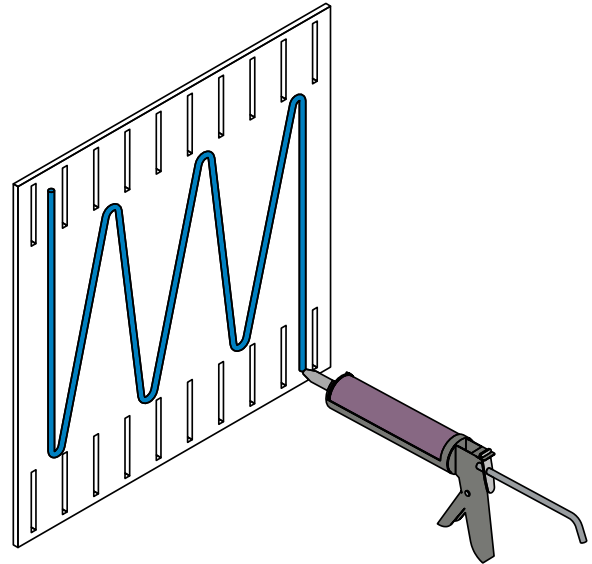
*Quiet by design*

**1. Locate the back-panel tile.**

*(Tip: Layout your tile pattern/configuration on a flat surface prior to beginning install.)*

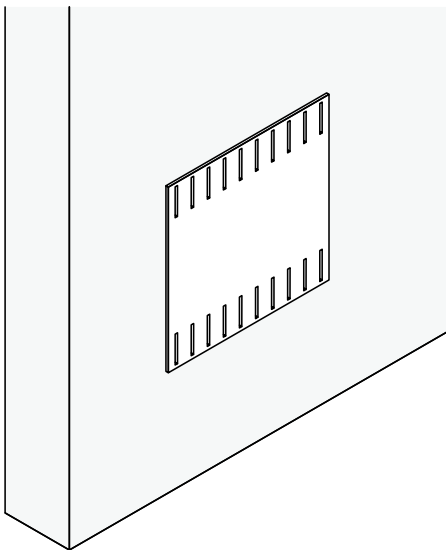


On the back-panel tile, starting at the top corner, apply a bead of adhesive that is approximately 1/4" wide. Continue the bead of adhesive across the tile working in a zigzag pattern.

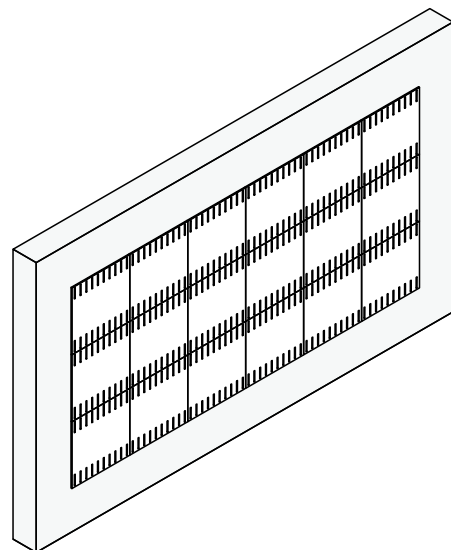


**2. Your back-panel tile is now ready to be installed on the wall in the desired location.**

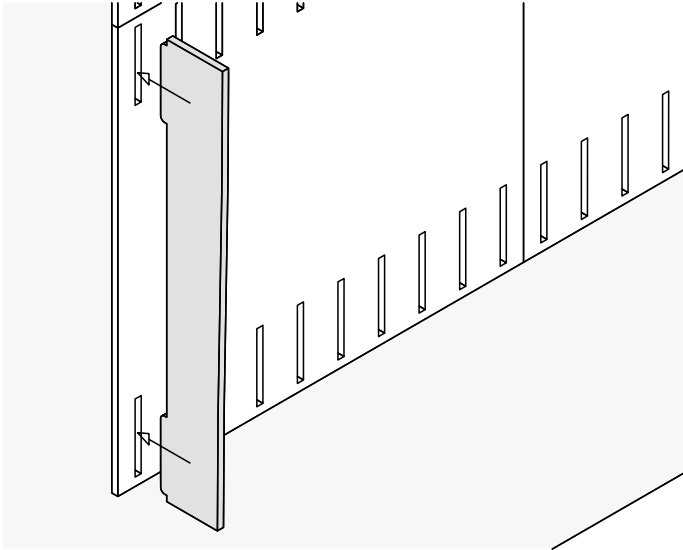
*(Please note that the Wall Tile should be mounted on the wall within 60 seconds of applying adhesive).*



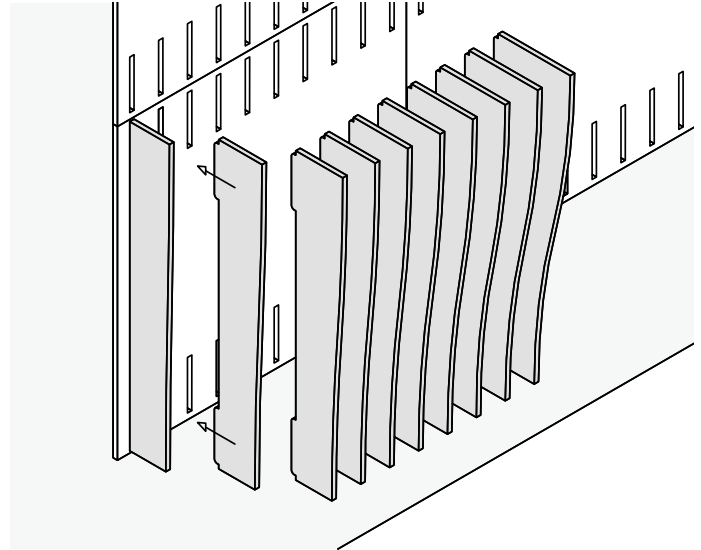
**3. With the back-panel tile positioned on the wall, apply firm pressure evenly over the entire surface of the back-panel tile and hold it in place for a few seconds. The back-panel tile is now installed. Repeat steps 1-6 for all remaining tiles.**



4. Locate the Baffle parts, they will be packaged in sets of 10 for each tile. Depending on your design layout, starting with the smallest baffle insert the lug on the top and bottom of the baffle into the first slots in the back-panel tile.

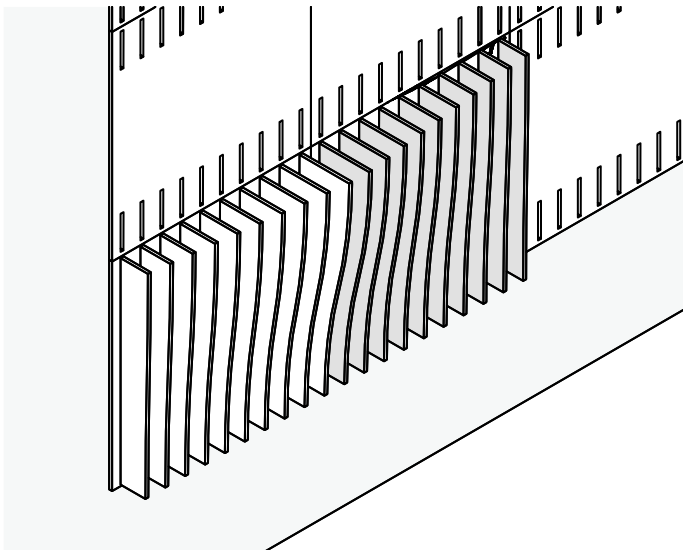


5. Repeat this process with the remaining 9 baffle pieces, arranging them from smallest to largest as shown below.



6. Now alternate the pattern for the next tile, arranging the pieces from the largest to the smallest. (Creating the mirror-effect of the previous tile).

*(Please note; this mirror-effect also applies to the vertical arrangement of the tile layers.)*



7. Continue this pattern for the remainder of the tiles to complete the design.

