



*hush.
acoustics*

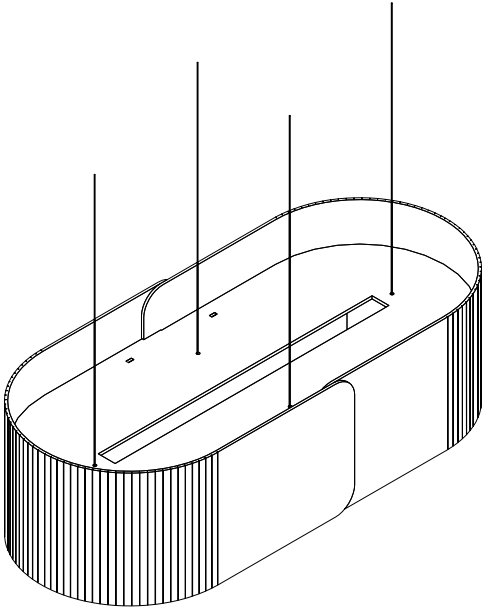
Install Guide
Cocoon



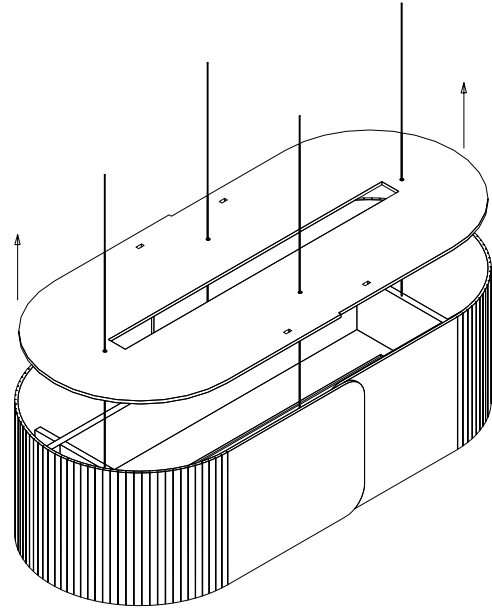
Check the product page

Quiet by design

1. Place the Cocoon light-shade on a clean level surface.

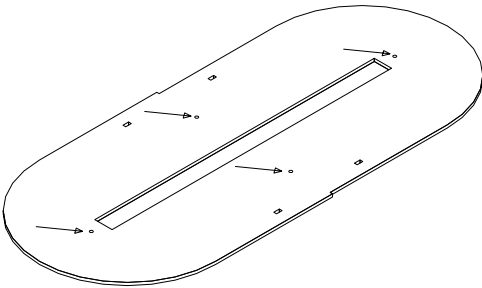


2. Remove the upper back panel from the light-shade.

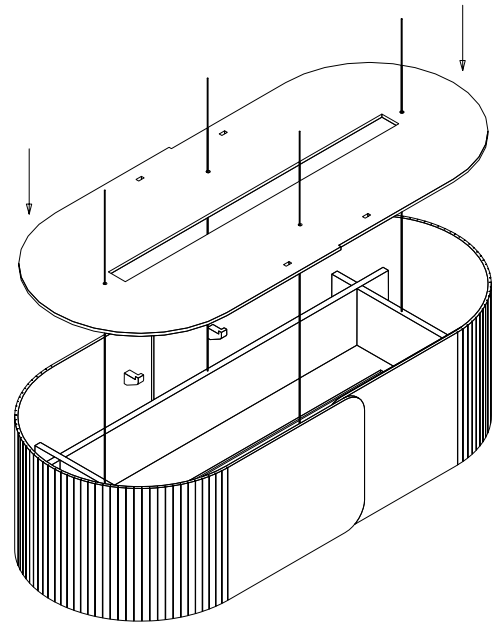


3. Using the four circles on the upper back panel as a template, install your Ceiling Hardware

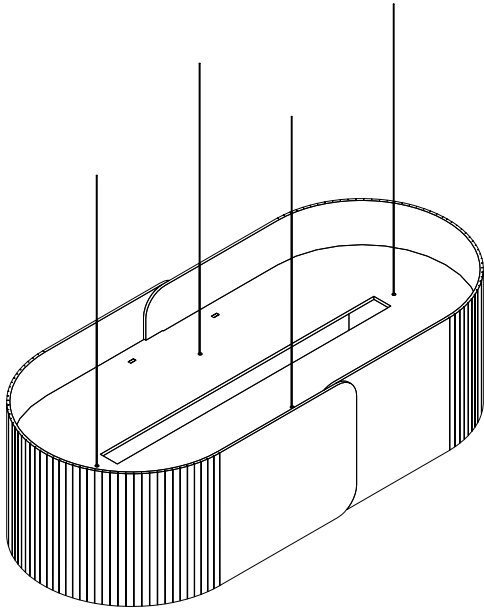
(refer to the Ceiling Hardware Install Guided document)



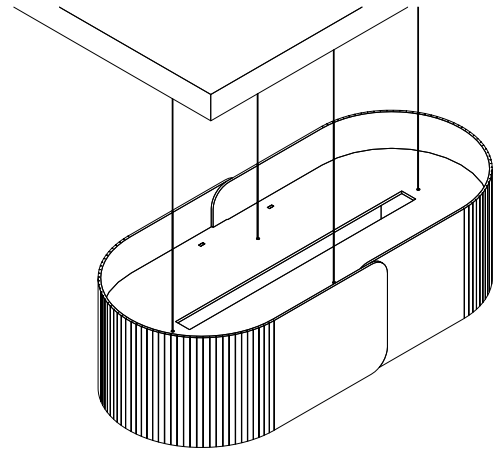
4. Place the upper back panel back onto the light shade.



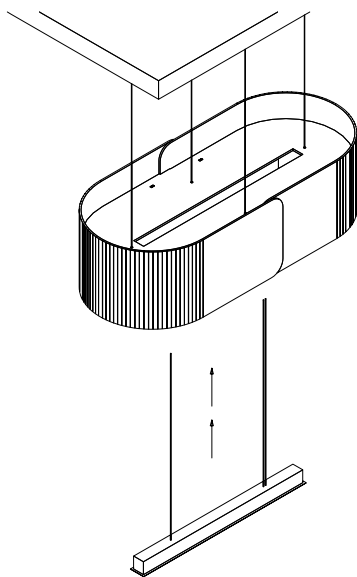
5. Ensure that the back panel is firmly seated onto the four location blocks.



6. Attach the light-shade cables to the ceiling hardware. Suspend the Cocoon light shade at the desired height.

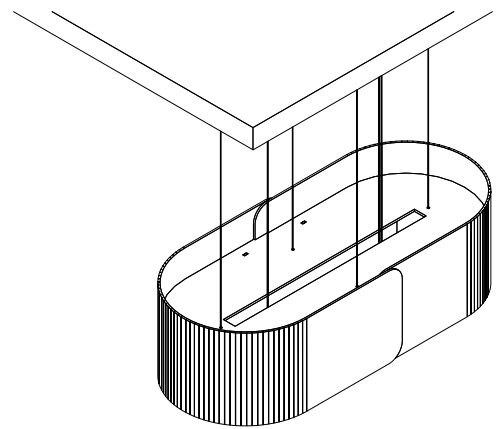


7. Insert the LED light unit into the underside of the light shade, ensuring that all the cables and the electrical wire are brought through the light shade using the large rectangle cut-outs.



8. Whilst supporting the weight of the LED light unit, secure the light unit suspension points to the ceiling using the Ceiling Hardware

(refer to the Ceiling Hardware Install Guided document)



9. Now, have a certified electrician connect the LED light to the power source, according to electrical codes and standards required for your region. Once the electrical connection is complete, your Cocoon light is complete and ready for use.

