



hush.
acoustics

Install Guide
Clouds



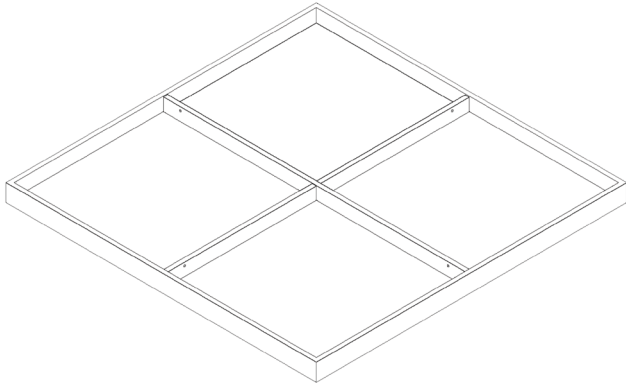
Check the product page

Quiet by design

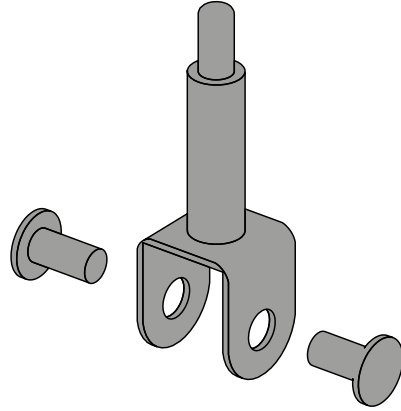
Shoulder-bracket

1. Place your Cloud product on a clean flat surface, with the face side down.

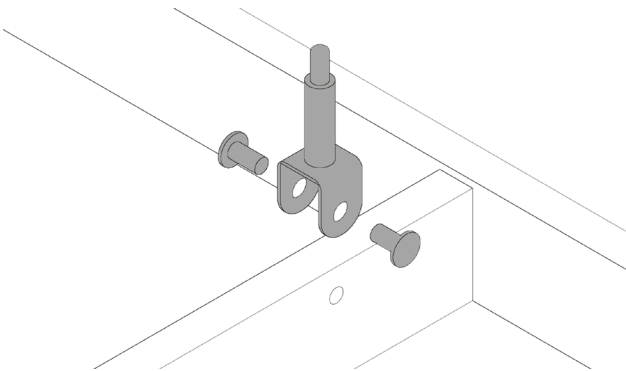
(Note; the top of the cloud will have small holes cut out for the installation hardware).



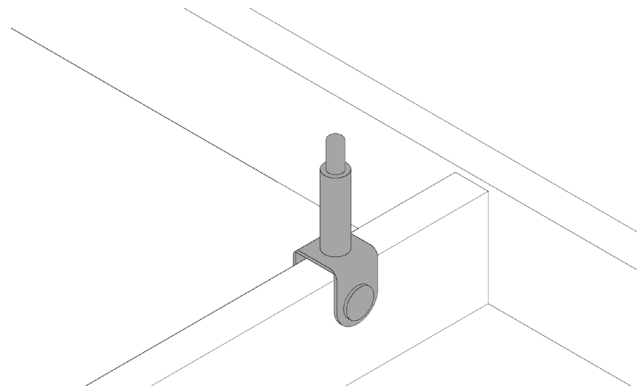
2. Locate the shoulder-bracket hardware provided.



3. Align the shoulder-brackets with the small cut out holes on the ribbing.

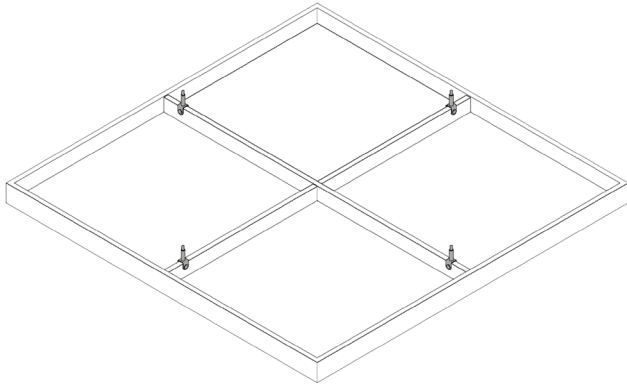


4. Now tighten the bolt hardware.



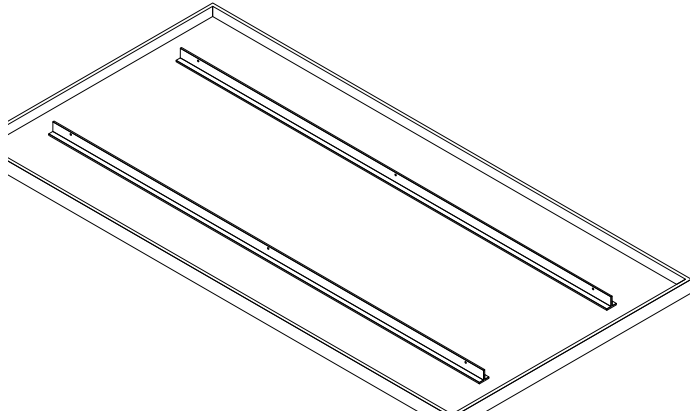
5. When all Shoulder-brackets have been installed, your cloud is now complete and ready to be suspended from the ceiling.

(Please refer to the 'Ceiling Hardware Install Guide' for the final steps).

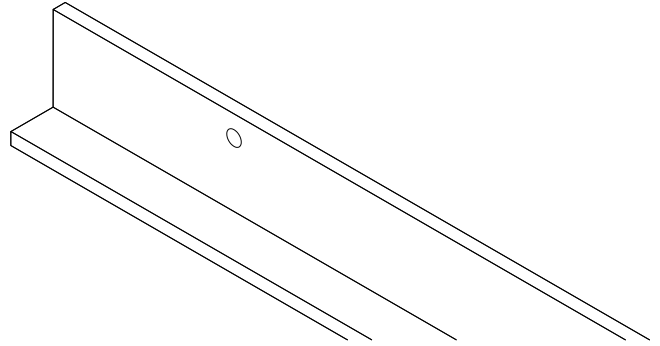


T-track

1. Place your Cloud product on a clean flat surface, with the face side down.

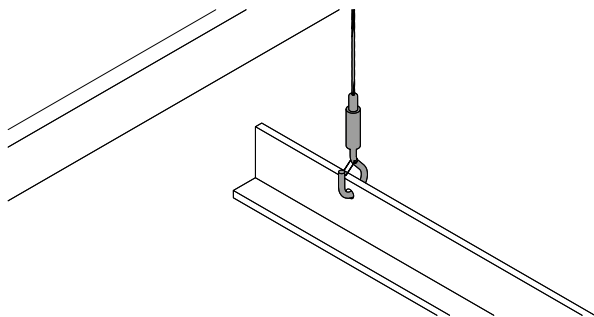


2. Locate the pre-drilled holes in the metal T-track as shown below:



3. Next, attach the 'Clevis-Hook' onto the T-track in the pre-drilled holes.

(Ensure that the spring-loaded safety clip is in the closed position once the hardware is attached).



4. When all Clevis-Hooks have been installed, your Cloud is now complete and ready to be suspended from the ceiling.

(Please refer to the 'Ceiling Hardware Install Guide' for the final steps).

