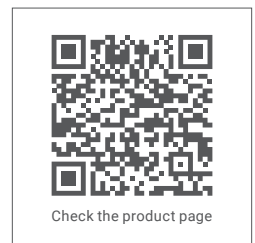




hush.
acoustics

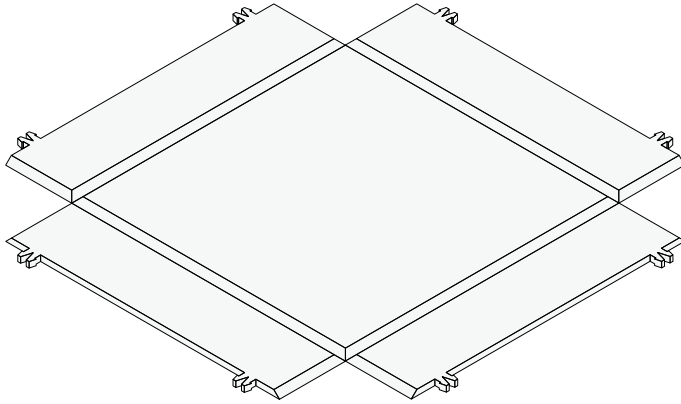
Install Guide

Closed Box Ceiling Tile

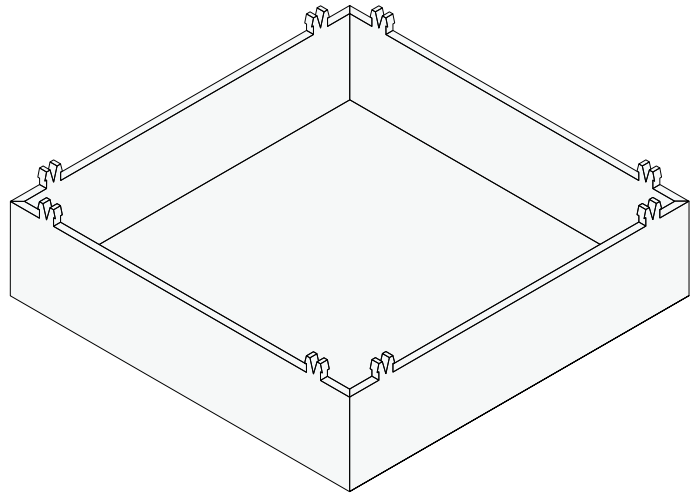


Quiet by design

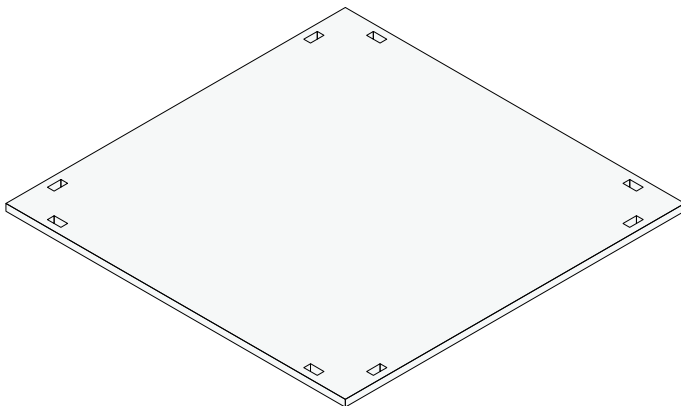
1. Locate the Ceiling Tile box section.



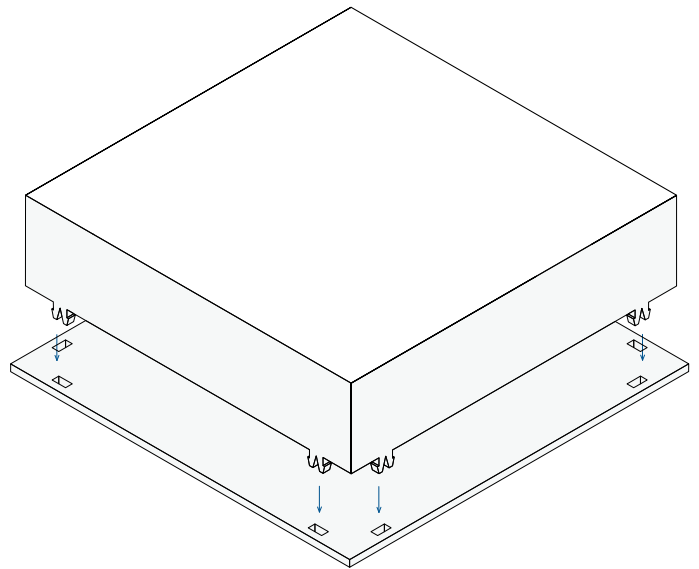
2. Fold the sides up to create a 'box' as shown below.



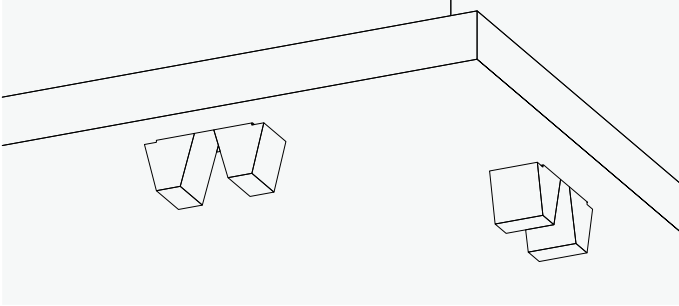
3. Locate the Ceiling Tile back panel.



4. Turn the box section over, and secure it into the back panel.



5. Ensure that the tabs protrude through the back panel and are in the open and 'locked' position as shown in the detail below.



6. The Closed Box ceiling tile is complete and can now be placed into your t-grid ceiling.

