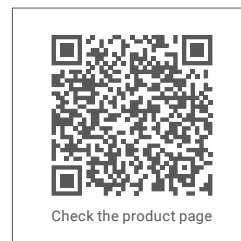




hush.  
*acoustics*

Install Guide

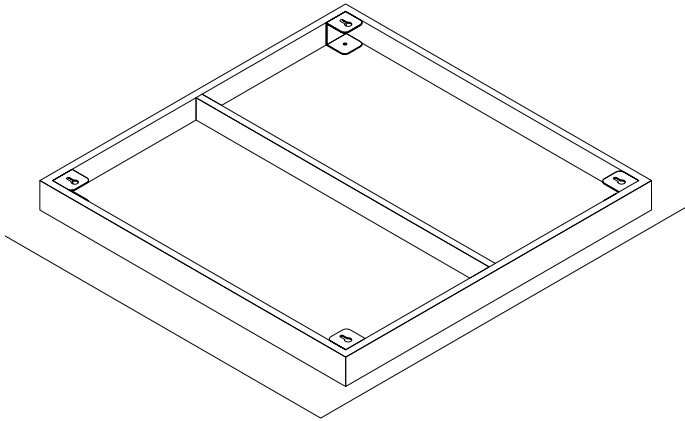
# Bold Wall Panel



*Quiet by design*

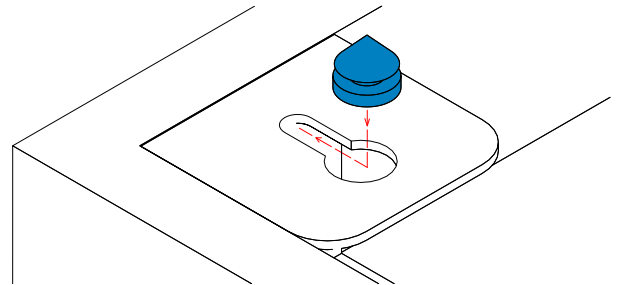
1. Begin by placing the BOLD Wall Panel face-down on a clean flat surface.

*(Note; the top of the cloud will have small holes cut out for the installation hardware).*

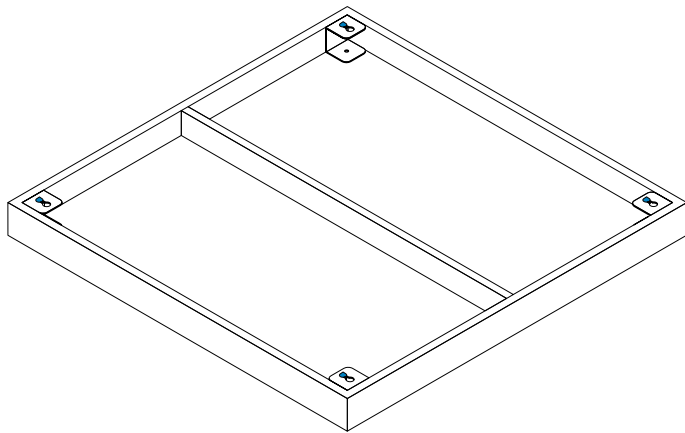


2. Now, locate the EZmark plugs. Insert the plug into the bracket as shown below, ensuring that the plug is pushed firmly all the way to the end of the narrow portion of the slot in the metal bracket.

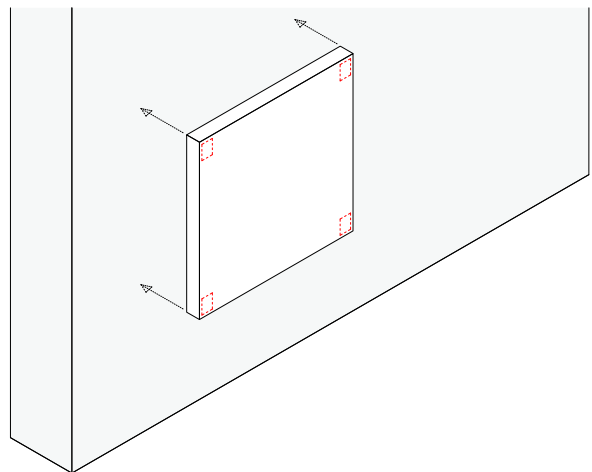
*(Note: The pointed end of the plug should be facing out from the panel).*



3. Repeat the process of adding the EZmark plugs to all remaining brackets on the BOLD Wall Panel.

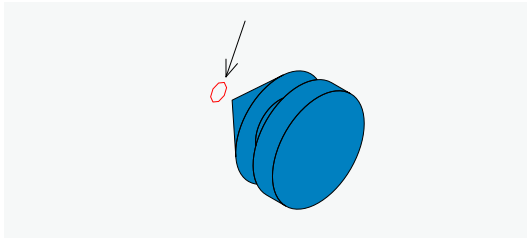


4. Now, holding the panel upright in the desired install location, push the panel firmly against the wall, making sure to only push at the mounting brackets locations. This will cause the EZmark plugs to make small markings on the wall at each bracket location.

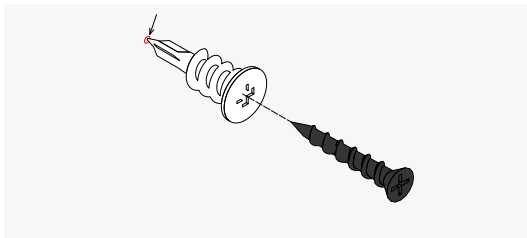


5. Using the small markings from the EZmark on the wall as a guide (A), secure your fastener to the wall (B).

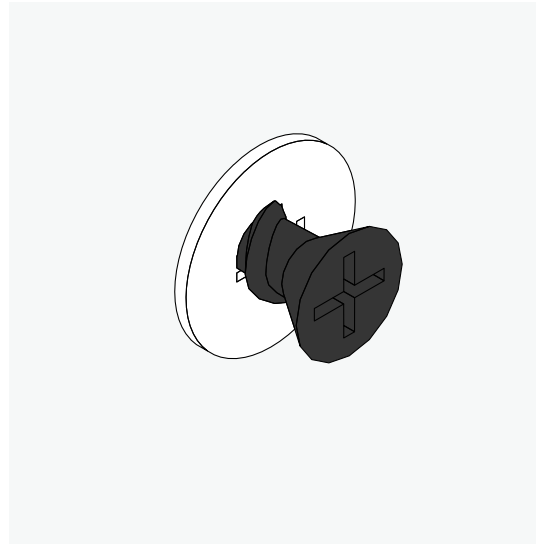
A



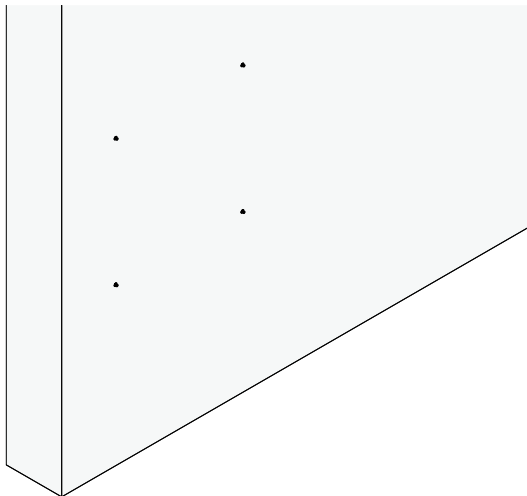
B



6. Secure your fastener to the wall, leaving about 6mm (1/4") remaining out from the wall.



7. Repeat step 6 for remaining mounting locations of the BOLD Wall Panel.



8. Now, remove all the EZmark plugs from the BOLD Wall Panel. The Panel can now be mounted to the wall by aligning the fixings on the wall with the larger hole in the mounting brackets on the back of the Panel. With the Panel against the wall, gently push the Panel down, the Panel will lower by about 19mm (3/4") to seat the brackets securely onto the wall fixings. If the Panel does not lower, adjust the wall fixing screws as necessary.

